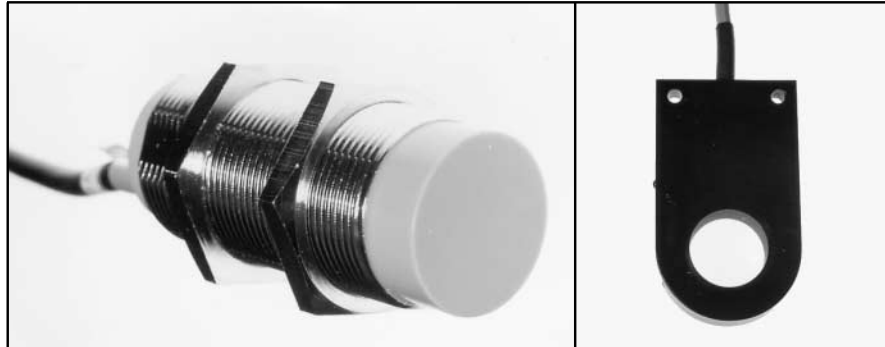




Series 300/301

Inductive Proximity Sensors
30mm Tubular, 5-100mm Ring



SIZE	30mm Tubular						5-100mm Ring
	2 Wire DC		3/4 Wire DC		2 Wire AC		4 Wire DC
TYPE							
Shielding	S - Shielded N - Non-Shielded		S N		S N		N
Maximum Sensing Distance (Sn)mm	10	15	10	15	10	15	See Chart Below
Switching Frequency Hz	300		300		12		See Chart Below
Repeatability mm			<0.05		<0.3		<0.3
Supply Voltage	10-30VDC		10-30VDC		20-250VAC		10-30VDC
Maximum Output Current mA	100		200		300		200
Minimum Output Current mA	<1.5		—		5		—
Max. Peak Current for 20ms A	—		—		1.5		—
No Load Current at 24VDC mA	—		<18		—		<18
Leakage Current mA	<0.6		—		<2.5		—
Voltage Drop (ON State)	<6.5VDC		<1.8VDC		<6VAC		<1.8VDC
Outputs	N.O. or N.C.		NPN-N.O. NPN-N.C. NPN-N.O. & N.C. PNP-N.O. PNP-N.C. PNP-N.O. & N.C.		N.O. or N.C.		NPN-N.O. & N.C. PNP-N.O. & N.C.

SPECIFICATIONS

SWITCHING POINT HYSTERESIS

<10% of max. switching distance.
See Chart. Ring Sensors.

SHORT CIRCUIT PROTECTION

All DC Models

REVERSE POLARITY PROTECTION

All DC Models

LED INDICATOR

Yes

OPERATING TEMPERATURE

-25°C to +70°C

TERMINATION

2 meter cable, Connectors

HOUSING MATERIAL

Tubular Sensors: Nicked Brass, Plastic or Stainless Steel; Ring Sensors, Plastic

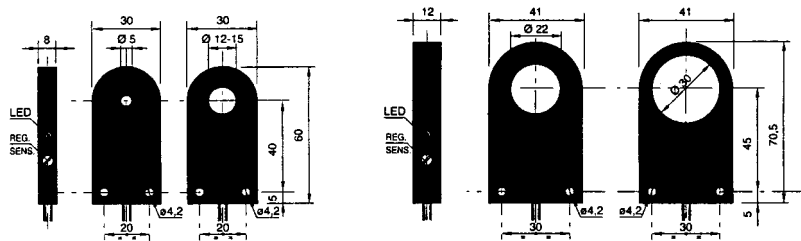
APPROVALS

CE

DEGREE OF PROTECTION

NEMA 1, 4, 6, 12, 13 (IP67) - Tubular
NEMA 1, 4, 12, 13 (IP65) - Ring

DIMENSIONS: (NOTE: Dimensions for 30mm sensors are on page 130).



301-3-5010-XX
(5mm Ring)

301-3-5110-XX
(12mm Ring)

301-3-5210-XX
(22mm Ring)

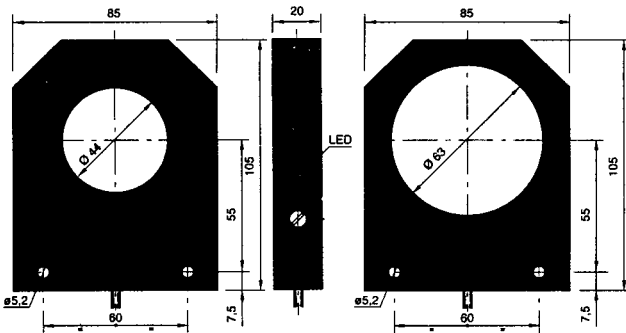
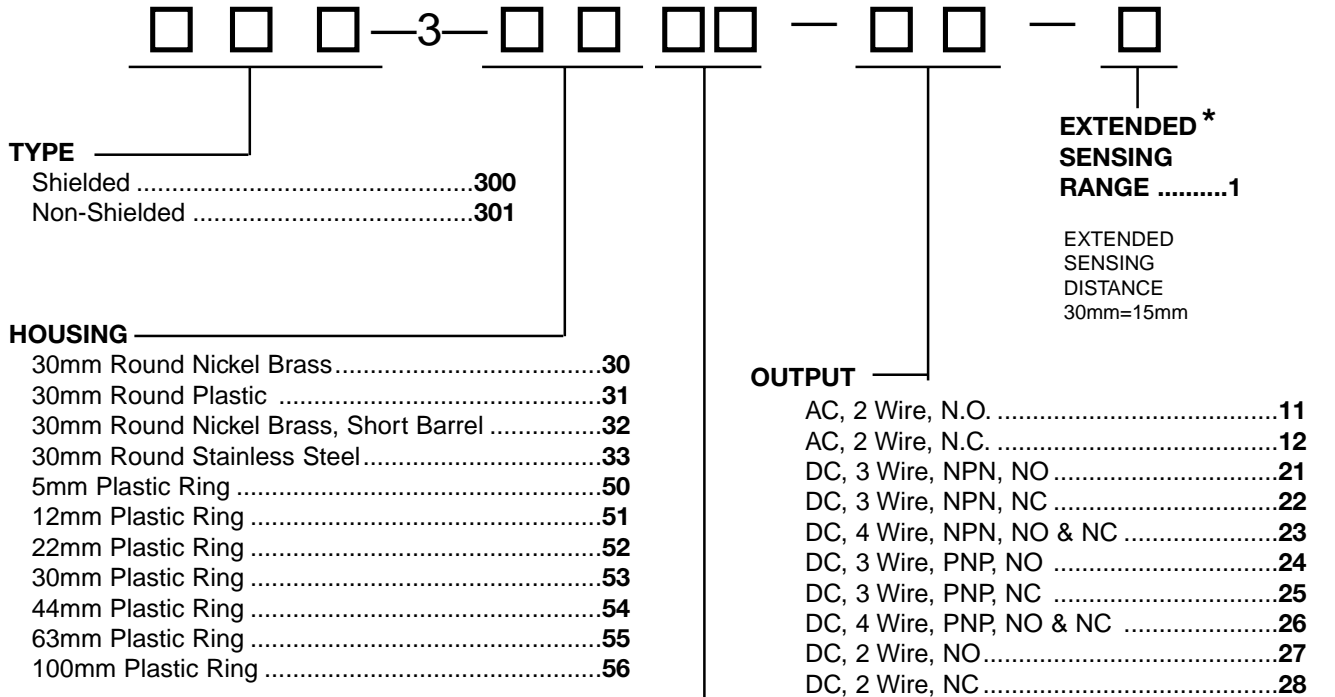
301-3-5310-XX
(30mm Ring)

RING SENSORS — GENERAL CHARACTERISTICS

Sensing is accomplished inside the ring. They are particularly suitable for detecting small objects such as screws, washers, etc. All sizes are supplied with a sensitivity adjustment.

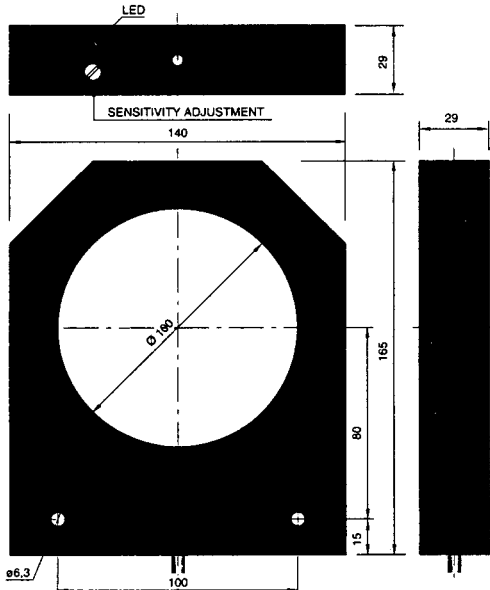
Internal Ring Diameter (mm)	Min. Object Size (Length x Diameter)	Switching Frequency
5	1mm x 0.7mm	600 to 1500 Hz
12	2mm x 1.2mm	600 to 1000 Hz
22	6mm x 3mm	600 to 1000 Hz
30	7mm x 4mm	600 to 800 Hz
44	9mm x 5mm	250 to 600 Hz
63	12mm x 6mm	100 to 200 Hz
100	20mm x 12mm	100 Hz

ORDERING INFORMATION



301-3-5410-XX
(44mm Ring)

301-3-5510-XX
(63mm Ring)



(100mm Ring) 301-3-5610-XX

*For information regarding connector cord sets that are compatible with H (Micro) connector sensors refer to page 126 of this catalog.

*

Selection Guide For Short Barrel Housing, Extended Sensing Ranges and Connectors

	Shielded	Non-Shielded
Standard Length Sensor	All	All
With H (Micro) Connector	30mm	30mm
Short Barrel Housing	3 or 4 Wire	3 or 4 Wire
With H (Micro) Connector	30mm	30mm
Short Barrel Housing	3 Wire	
With H (Micro) Connector & Extended Sensing Range	30mm	
Short Barrel Housing	3 Wire	
With 2 Meter Cable And Extended Sensing Range	30mm	
Short Barrel Housing	3 or 4 Wire	3 or 4 Wire
With 2 Meter Cable	30mm	30mm
Standard Length Housing	All	All
With K Connector	30mm	30mm
Ring Sensors With H (Micro) or H1 Connectors		All Sizes

NOTE: Extended Sensing Range Is Not Available In Standard Length Housing Sensors.