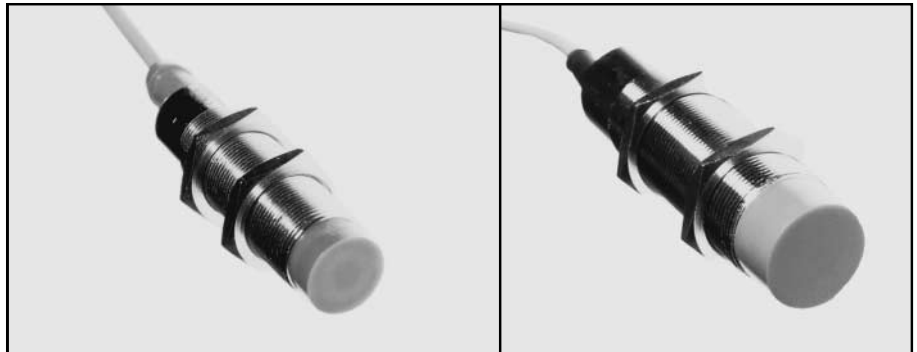


# Series CR



## Spartan Capacitive Proximity Sensors 18mm, 30mm



SIZE	18mm	18mm	30mm	30mm
TYPE	3 Wire DC	2 Wire AC	3 Wire DC	2 Wire AC
Shielding	S - Shielded N - Non-Shielded	N	N	N
Maximum Sensing Distance (Sn)	8mm	8mm	15mm	15mm
Switching Frequency Hz	50	20	50	20
Supply Voltage	10-30VDC	90-250VAC	10-30VDC	90-250VAC
Residual Ripple <10% DC Models	1.5V	20V	1.5V	20V
Voltage Drop (ON State)	1.5V	20V	1.5V	20V
Outputs	NPN-N.O. or N.C. PNP-N.O.	N.O. or N.C.	NPN-N.O. or N.C. PNP-N.O.	N.O. or N.C.
Housing Material	Plastic	Plastic	Metal	Metal

### SPECIFICATIONS

#### SWITCHING POINT HYSTERESIS

±20% of Sensing Distance

#### MAXIMUM OUTPUT CURRENT

200mA Resistive, 100mA Inductive

#### REVERSE POLARITY PROTECTED

Yes, DC

#### LED INDICATOR

Yes

#### OPERATING TEMPERATURE

-25°C to +70°C

#### TERMINATION

2m Cable

#### DEGREE OF PROTECTION

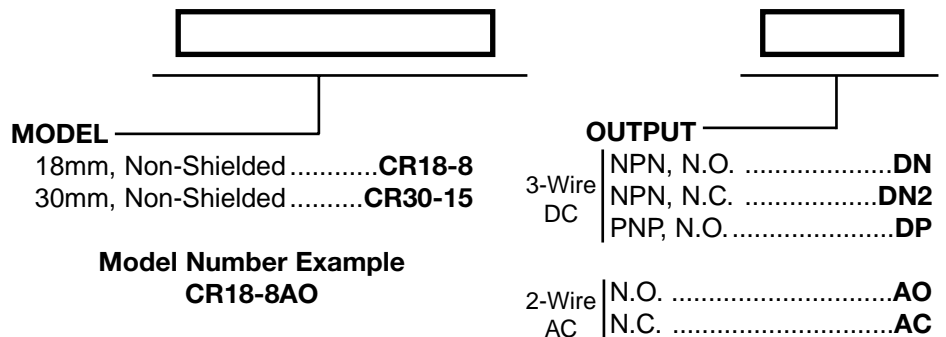
IP66 — 18mm Models

IP65 — 30mm Models

#### ADJUSTABLE SENSITIVITY

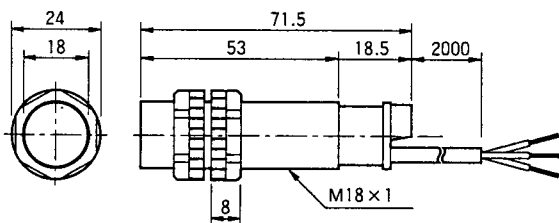
Yes

### ORDERING INFORMATION



### DIMENSIONS

● CR18-8



● CR30-15

