



*On delay or reverse
start timing...
economical yet
versatile design*



"ON" delay or "REVERSE START" timing is achieved through the use of a clutch drive mechanism, usually not available on timers in the BR price category.

- New clutch drive mechanism provides much faster reset time and substantially longer motor life
- Instantaneous contacts operate directly with clutch - close instantly when clutch is energized and remain closed until clutch is reenergized
- Instantaneous contacts allow use in much greater number of control circuit configurations than any other timer in its class
- Screw terminals on rear of housing allow removal or replacement with minimal downtime
- 14 terminal housing

SPECIFICATIONS

Time Ranges:

Sym.	Time Range
1	5 Sec.
3	15 Sec.
4	30 Sec.
5	60 Sec.
6	150 Sec.
7	5 Min.
8	10 Min.
9	30 Min.
10	60 Min.
11	5 Hr.
12	10 Hr.

Reset Time: 500 ms at max. setting

Voltage/Frequency: 120V (+10, -15%), 50/60 Hz
240V (+10, -15%), 50/60 Hz

Electrical Power Consumption: Motor: 3W
Clutch: 4 VA

Contact Rating: 10 amp, 1/6 HP, 120 VAC
10 amp, 1/4 HP, 240 VAC
UL Rating: 3 amp @ 120/240 VAC

Repeat Accuracy: $\pm 1 \frac{3}{4}\%$ of max. setting

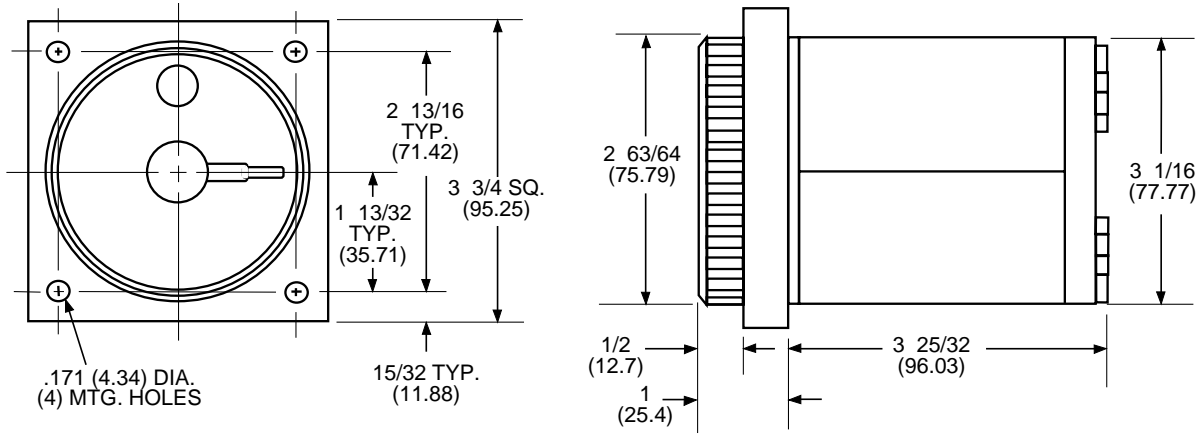
Temperature Range: -10° to +140°F (-23° to +60°C)

Dial Setting: Accuracy $\pm 1\%$
Minimum 3% of Full Scale

Speed: Pull-In: 30 ms
Drop-Out: 4 ms

Agency Approvals: UL Recognition E61735
CSA Certification LR27967

MOUNTING



ENCLOSURES

Model No.	NEMA Class	Description
HN308	1	Surface Mtg. with terminal block
HN364	1	Surface Mtg. without terminal block
HN368	1A	Dual unit cabinet with 9 position terminal block, timer housings, and DPST toggle switch
HN370	1A	Dual unit cabinet less unit cases and toggle switch, with 9 terminal block

ACCESSORIES

Model No.	Description
H-5331	Mounting Brackets 2 req'd per timer
HP50-31	One Hole Mounting Ring
HP50-103	120 VAC, 50/60 Hz Repeat Cycle Kit
HP50-105	240 VAC, 50/60 Hz Repeat Cycle Kit

ORDERING INFORMATION

Consult Customer Service for availability of other time ranges, voltages, and frequencies.

